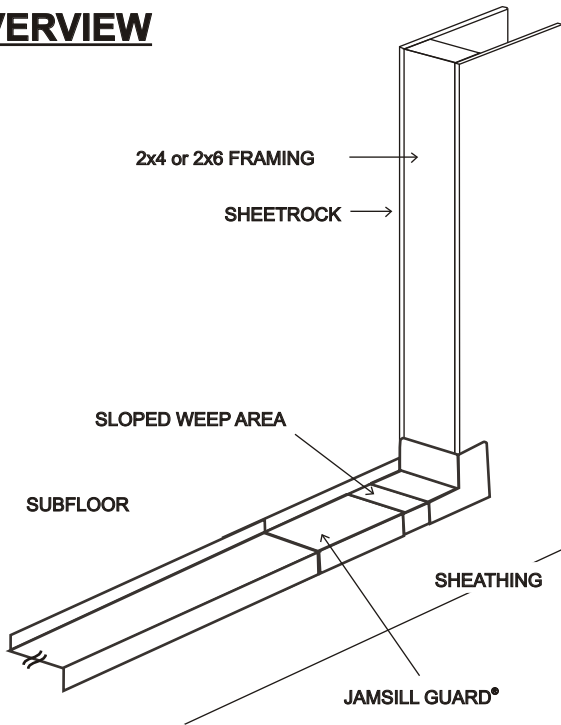


Jamsill Guard®

The ORIGINAL Sill Pan Flashing Since 1983!

TECHNICAL / DIMENSIONS

OVERVIEW



DEPTHS

#118 Series - 1 1/8"



#238 Series - 2 3/8"



#314 Series - 3 1/4"



#358 Series - 3 5/8"



#418 Series - 4 1/8"



#4916 Series - 4 9/16"



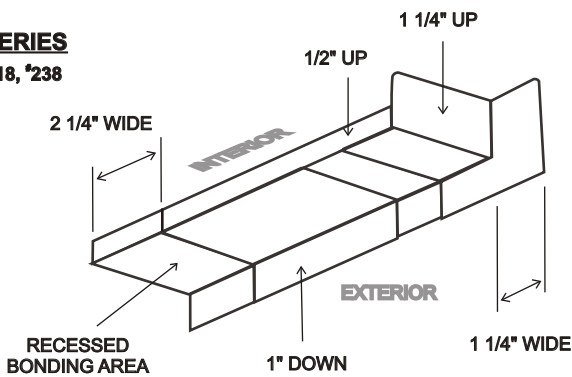
#6916 Series - 6 9/16"



DIMENSIONS

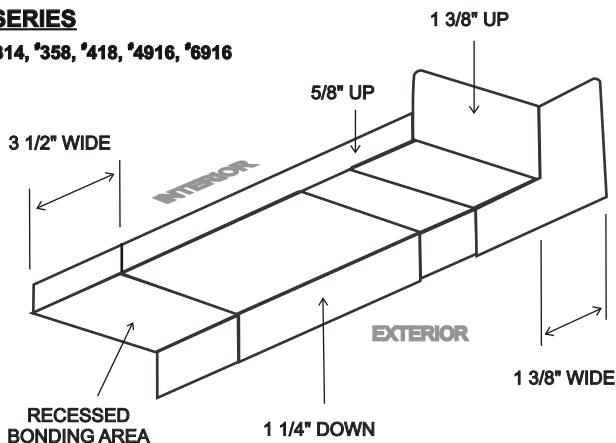
SERIES

#118, #238



SERIES

#314, #358, #418, #4916, #6916



THICKNESS

One-Piece Molded Corners-

#118, #238 .045 - .090

#314, #358, #418, #4916, #6916 .060 - .125

Extrusion-
ALL SERIES

.060 - .065